

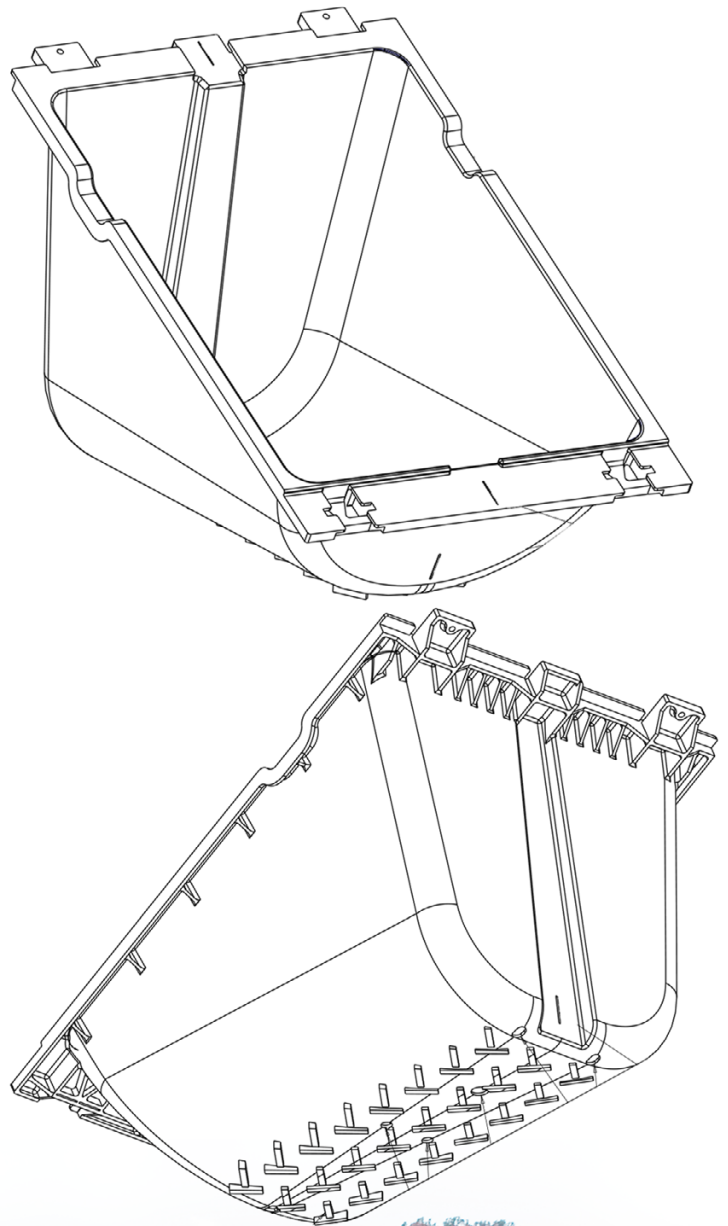
PowerRack®

RACKING SOLUTION

powerfield

PowerField Energy's PowerRack PV solar ground mount system is a revolutionary solution for low-cost low-impact versatile applications. This ballasted system requires no ground penetration and no tools, dramatically reducing costs and enhancing project flexibility.

Length	37" / 935mm
Width	26" / 650mm
Height	26" / 650mm
Weight (empty)	15lbs / 6.9kg
Tilt Angle	25°



For additional guidance:
Call us at **888-788-8007**
or email **info@powerfieldenergy.com**

www.powerfieldenergy.com/faqs



PowerRack®

PROPERTIES & INSTALLATION

Unit	One piece rack with two clips
Material	High Density Polyethylene (HDPE)
Compatible Modules	All framed modules up to 41.3"/1050mm in width
Module Orientation	Landscape
Ballast Material	Aggregate gravel, sand, dirt
Wind Load	120mph ASCE 7-16
Snow Load (Modules)	200+ psf/9,500+ Pa
Disposal	Reusable and Recyclable



BALLAST WEIGHT LEVELS*

Ballast Depth at Center of Rack	Volume in Cubic Yards	Weight in Lbs. of Gravel	Weight in Lbs. of Dirt	Weight in Lbs. of Sand
7"	0.065	190 lbs.	170 lbs.	180 lbs.
10"	0.097	285 lbs.	250 lbs.	270 lbs.
11"	0.113	330 lbs.	290 lbs.	315 lbs.
13"	0.129	380 lbs.	335 lbs.	360 lbs.
14"	0.145	425 lbs.	375 lbs.	405 lbs.

*Ballast weights are only intended as a guide. Actual ballast weight requirement depends on project-specific site and wind calculations.